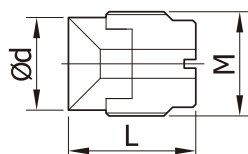


螺栓 BOLT

出水型調整螺絲 應用於 PFC刀把

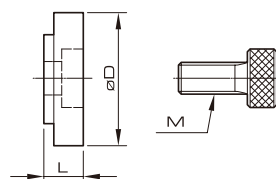
COOLANT TYPE SCREW
APPLY TO PFC HOLDER



Order No. 訂購編號	ød	L	M
PFC20-M18C	16	22	M8x1.5
PFC25-M22C	20	27	M22x1.5
PFC32-M28C	26	32	M28x1.5

鎖緊螺栓 應用於 FMA,FMB 刀把

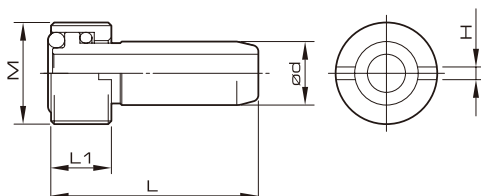
BOLT APPLY TO FMA,FMB HOLDER



Order No. 訂購編號	L	øD	M
FMSP-16	12	20	M18X1.25
FMSP-22	15	28	M10X1.5
FMSP-27	16	33	M12X1.75
FMSP-32	20	40	M16X2
FMSP-40	25	50	M20X2.5

中心出水管 應用於 HSK刀把

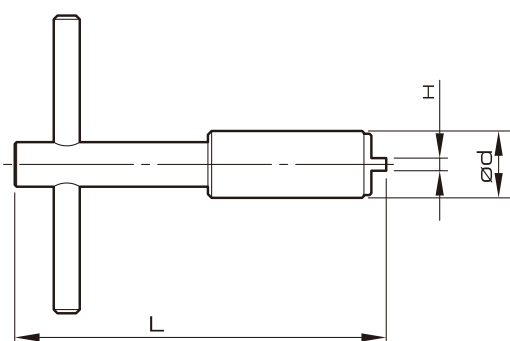
COOLANT PIPE
APPLY TO HSK SHANK
TOOL HOLDER



Order No. 訂購編號	M	ød	L	L1	H
HSK50P	M16XP1.0	10	32.6	9.5	4
HSK63P	M18XP1.0	12	36.2	10.4	5
HSK100P	M24XP1.0	16	43.9	15.4	6

扳手 應用於中心出水管

SPANNER
APPLY TO COOLANT PIPE



Order No. 訂購編號	L	ød	H
PHS-HSK50P	97.9	16	3.9
PHS-HSK63P	98.4	18	5.9

SPARE PARTS